

TYPICAL ELEVATIONS

THIS SYSTEM IS RATED FOR LARGE & SMALL MISSILE IMPACT. SHUTTERS ARE NOT REQUIRED.

SERIES 'SLIMPACT X' GLASS WALL SYSTEM

THIS PRODUCT HAS BEEN DESIGNED AND TESTED TO COMPLY WITH THE REQUIREMENTS OF THE 2017 (6TH EDITION)/2020 (7TH EDITION) FLORIDA BUILDING CODE INCLUDING HIGH VELOCITY HURRICANE ZONE (HVHZ).

1BY OR 2BY WOOD BUCKS & BUCK FASTENERS BY OTHERS, MUST BE DESIGNED AND INSTALLED ADEQUATELY TO TRANSFER APPLIED PRODUCT LOADS TO THE BUILDING STRUCTURE.

ANCHORS SHALL BE CORROSION RESISTANT, SPACED AS SHOWN ON DETAILS AND INSTALLED PER MANUF'S INSTRUCTIONS. SPECIFIED EMBEDMENT TO BASE MATERIAL SHALL BE BEYOND WALL DRESSING OR STUCCO.

A LOAD DURATION INCREASE IS USED IN DESIGN OF ANCHORS INTO WOOD ONLY.

ALL SHIMS TO BE HIGH IMPACT, NON-METALLIC AND NON-COMPRESSIBLE.

MATERIALS INCLUDING BUT NOT LIMITED TO STEEL/METAL SCREWS, THAT COME INTO CONTACT WITH OTHER DISSIMILAR MATERIALS SHALL MEET THE REQUIREMENTS OF THE 2017/2020 FLORIDA BLDG. CODE & ADOPTED STANDARDS.

THIS PRODUCT APPROVAL IS GENERIC AND DOES NOT PROVIDE INFORMATION FOR A SITE SPECIFIC PROJECT, i.e. LIFE SAFETY OF THIS PRODUCT, ADEQUACY OF STRUCTURE RECEIVING THIS PRODUCT AND SEALING AROUND OPENING FOR WATER INFILTRATION RESISTANCE ETC.

CONDITIONS NOT SHOWN IN THIS DRAWING ARE TO BE ANALYZED SEPARATELY, AND TO BE REVIEWED BY BUILDING OFFICIAL.

DESIGN LOADS SHOWN ARE BASED ON 'ALLOWABLE STRESS DESIGN (ASD)'.

MANUFACTURER'S LABEL SHALL BE LOCATED ON A READILY VISIBLE LOCATION IN ACCORDANCE WITH SECTION 1709.9.3 OF FLORIDA BUILDING CODE. LABELING TO COMPLY WITH SECTION 1709.9.2.

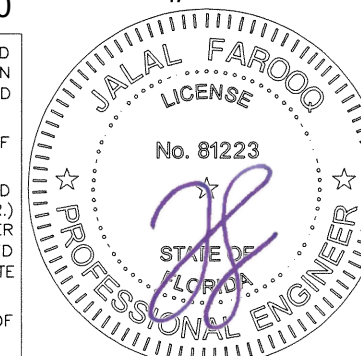
ANCHOR TYPE	ANCHOR SPACING INCHES		
	HEAD	SILL	JAMBS
A	4"	4"	6-3/4"
B	8	8	8
C	-	-	6-3/4
D	8	8	8

APPROVAL APPLIES TO SINGLE LITE UNITS OR MULTIPLE LITES UNIT INSTALLATIONS
 FOR SINGLE LITE UNITS SEE CHART #1 ON SHEET 2.
 FOR MULTIPLE LITES UNIT SEE CHART #2 ON SHEET 2.

Sealed: 10/26/2020

FL #25673

A- CONTRACTOR TO BE RESPONSIBLE FOR THE SELECTION, PURCHASE AND INSTALLATION OF THIS PRODUCT BASED ON THIS PRODUCT EVALUATION PROVIDED HE/SHE DOES NOT DEVIATE FROM THE CONDITIONS DETAILED ON THIS DOCUMENT.
 B- THIS PRODUCT EVALUATION DOCUMENT WILL BE CONSIDERED INVALID IF ALTERED BY ANY MEANS.
 C- SITE SPECIFIC PROJECTS SHALL BE PREPARED BY A FLORIDA REGISTERED ENGINEER OR ARCHITECT WHICH WILL BECOME THE ENGINEER OF RECORD (E.O.R.) FOR THE PROJECT AND WHO WILL BE RESPONSIBLE FOR THE PROPER USE OF THE P.E.D. ENGINEER OF RECORD, ACTING AS A DELEGATED ENGINEER TO THE P.E.D. ENGINEER SHALL SUBMIT TO THIS LETTER THE SITE SPECIFIC DRAWINGS FOR REVIEW.
 D- THIS P.E.D. SHALL BEAR THE DATE AND ORIGINAL SEAL AND SIGNATURE OF THE PROFESSIONAL ENGINEER OF RECORD THAT PREPARED IT.



af c
AL-FAROOQ CORPORATION
 ENGINEERS & PRODUCT DEVELOPMENT
 9360 SUNSET DRIVE, SUITE 220 (C.A.N. 3538)
 MIAMI, FLORIDA 33173 TEL. (305) 264-8100 FAX. (305) 262-6978
 COMP-ANL \ W17-104FGT

SERIES 'SLIMPACT X' SSG GLASS WALL SYSTEM (L.M.I.)
Faour Glass Technologies
 5119 West Knox Street
 Tampa, FL. 33634
 Tel. (813) 884-3297 Fax. (-)

revisions:	no	date	description	by
	A	04.11.18	SERIES NAME REV.	
	B	12.12.18	CHART ADDED	
	C	10.05.20	UPDATED TO 2020 FBC	
date:	11-08-17			
scale:	3/8"=1'-0"			
dr. by:	TARIQ			
chk. by:				
drawing no.	W17-104			
sheet	1 of 5			

CHART #1

DESIGN LOAD CAPACITY - PSF SINGLE LITE UNITS					
D.L.O. DIMS.		1/2" MIN. GLASS BITE AT JAMBS		7/8" MIN. GLASS BITE AT JAMBS	
WIDTH	HEIGHT	EXT.(+)	1NT.(-)	EXT.(+)	1NT.(-)
42"	42"	60.0	60.0	70.0	70.0
60"		60.0	60.0	70.0	70.0
72"		60.0	60.0	70.0	70.0
84"		60.0	60.0	70.0	70.0
96"		60.0	60.0	70.0	70.0
120"		60.0	60.0	70.0	70.0
132"		60.0	60.0	70.0	70.0
168"		60.0	60.0	70.0	70.0
240"	60.0	60.0	70.0	70.0	
42"	60"	60.0	60.0	70.0	70.0
60"		60.0	60.0	70.0	70.0
72"		60.0	60.0	70.0	70.0
84"		60.0	60.0	70.0	70.0
96"		60.0	60.0	70.0	70.0
120"		60.0	60.0	70.0	70.0
132"		60.0	60.0	70.0	70.0
168"		60.0	60.0	70.0	70.0
42"	72"	60.0	60.0	70.0	70.0
60"		60.0	60.0	70.0	70.0
72"		60.0	60.0	70.0	70.0
84"		60.0	60.0	70.0	70.0
96"		60.0	60.0	70.0	70.0
120"		60.0	60.0	70.0	70.0
132"		60.0	60.0	70.0	70.0
140"		60.0	60.0	70.0	70.0
42"	84"	60.0	60.0	70.0	70.0
60"		60.0	60.0	70.0	70.0
72"		60.0	60.0	70.0	70.0
84"		60.0	60.0	70.0	70.0
96"		60.0	60.0	70.0	70.0
120"	60.0	60.0	70.0	70.0	
42"	96"	60.0	60.0	70.0	70.0
60"		60.0	60.0	70.0	70.0
72"		60.0	60.0	70.0	70.0
84"		60.0	60.0	70.0	70.0
96"		60.0	60.0	61.3	61.3
105"	60.0	60.0	61.3	61.3	
42"	120"	60.0	60.0	70.0	70.0
60"		60.0	60.0	70.0	70.0
72"		60.0	60.0	70.0	70.0
84"		60.0	60.0	70.0	70.0

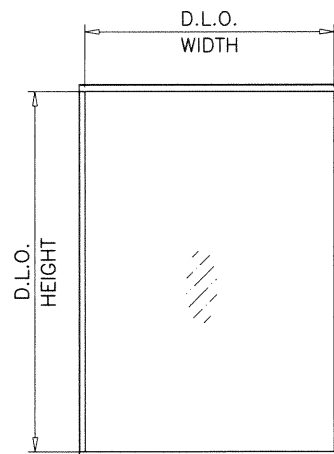
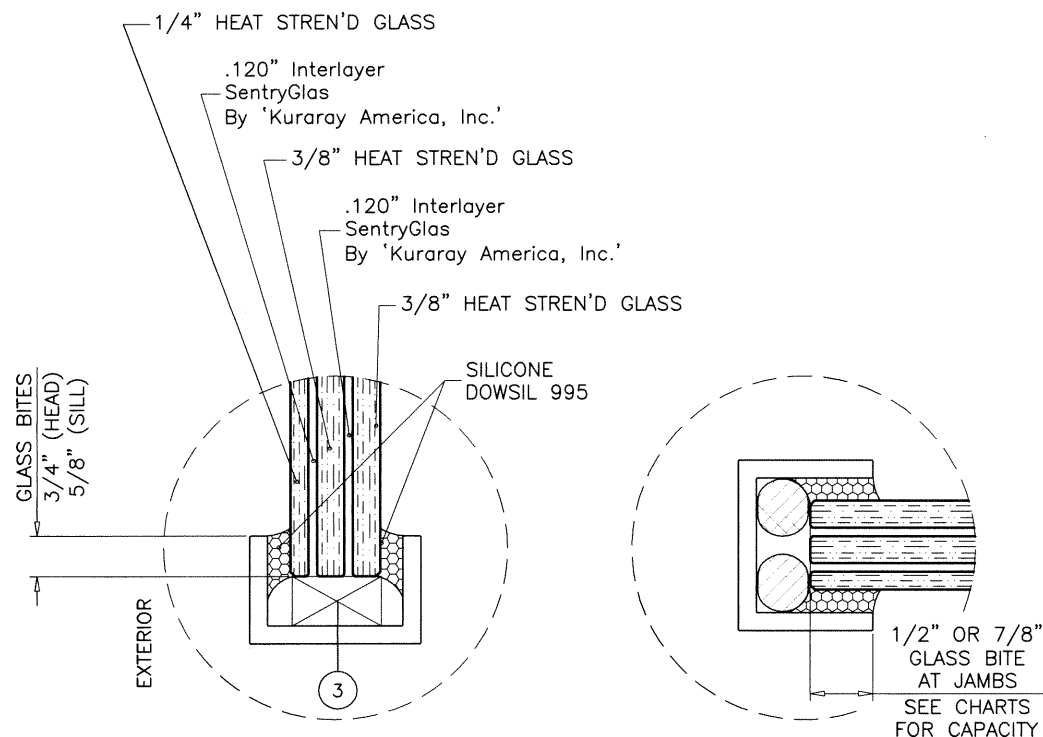
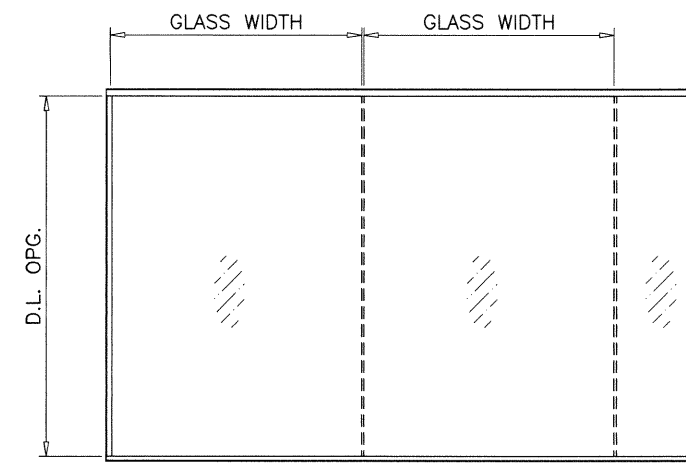


CHART #2

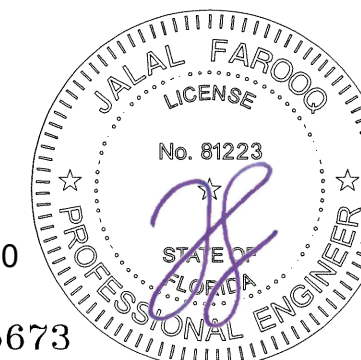
DESIGN LOAD CAPACITY - PSF MULTIPLE LITES UNIT					
DIMS.		1/2" MIN. GLASS BITE AT JAMBS		7/8" MIN. GLASS BITE AT JAMBS	
GLASS WIDTH	D.L.O. HEIGHT	EXT.(+)	1NT.(-)	EXT.(+)	1NT.(-)
84"	120"	60.0	60.0	70.0	70.0
105"	96"				
120"	84"				
140"	72"				
168"	60"				
240"	42"				



GLAZING DETAIL
1-1/4" OVERALL LAM. GLASS

Sealed: 10/26/2020

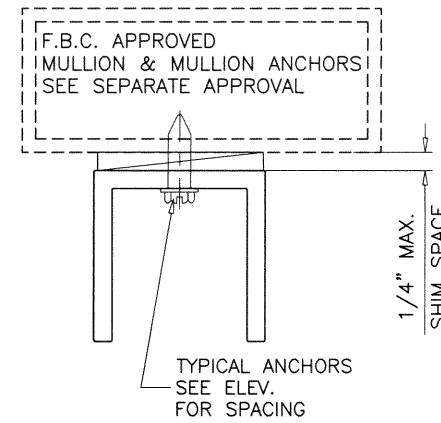
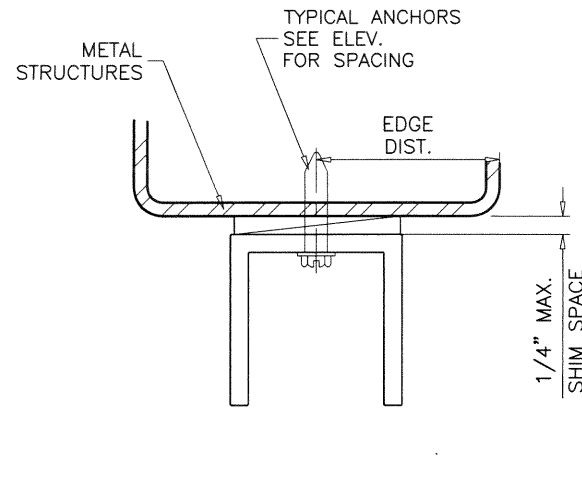
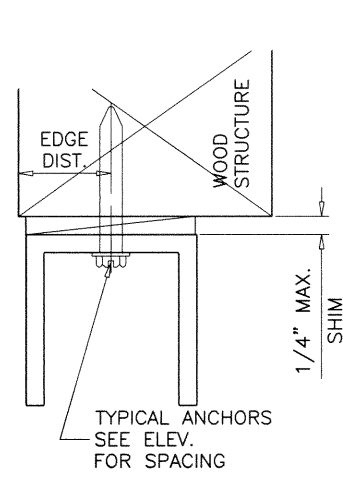
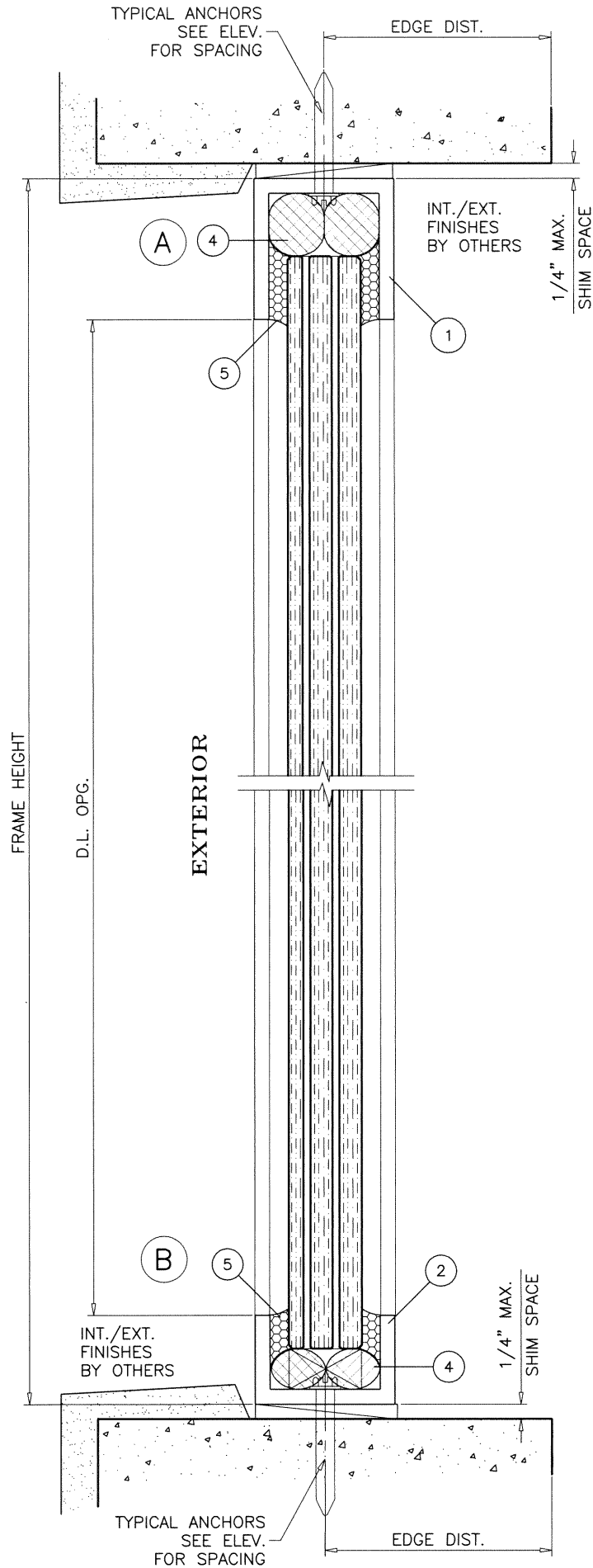
FL #25673



af c
AL-FAROOQ CORPORATION
ENGINEERS & PRODUCT DEVELOPMENT
9360 SUNSET DRIVE, SUITE 220
MIAMI, FLORIDA 33173 (C.A.N. 3538)
TEL. (305) 264-8100 FAX. (305) 262-6978
COMP-ANL W17-104FGT

SERIES 'SLIMPACT X' SSG GLASS WALL SYSTEM (L.M.I.)
Faour Glass Technologies
5119 West Knox Street
Tampa, FL 33634
Tel. (813) 884-3297 Fax. (-)

revisions:	no	date	description
date:	11-08-17	scale:	3/8" = 1"
dr. by:	TARIQ	chk. by:	
drawing no.	W17-104		
sheet	2 of 5		



WOOD BUCKS AND METAL STRUCTURE NOT BY 'FAOUR GLASS'
MUST SUSTAIN LOADS IMPOSED BY GLAZING SYSTEM
AND TRANSFER THEM TO THE BUILDING STRUCTURE.

TYPICAL ANCHORS: SEE ELEV. FOR SPACING

ANCHOR 'A' - 5/16" DIA. ULTRACON BY 'DEWALT' (Fu=177 KSI, Fy=155 KSI)
INTO 2BY WOOD STRUCTURES
1-7/8" MIN. PENETRATION INTO WOOD (HEAD/SILL/JAMBS)
THRU 1BY OR 2BY BUCKS INTO CONC. OR BLOCKS
1-1/4" MIN. EMBED INTO CONCRETE (HEAD/SILL/JAMBS)
1-3/4" MIN. EMBED INTO GROUT FILLED BLOCKS (JAMBS)

ANCHOR 'B' - 5/16" DIA. ULTRACON BY 'DEWALT' (Fu=177 KSI, Fy=155 KSI)
DIRECTLY INTO CONCRETE
1-3/4" MIN. EMBED INTO CONCRETE (HEAD/SILL/JAMBS)

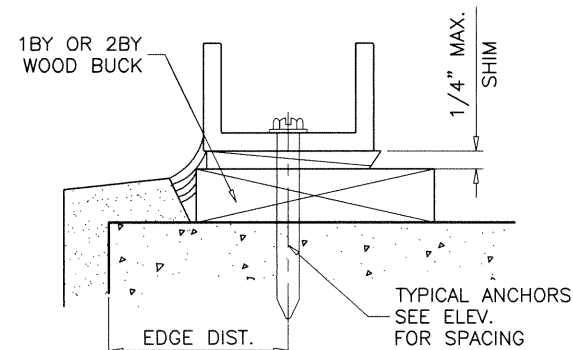
ANCHOR 'C' - 5/16" DIA. ULTRACON BY 'DEWALT' (Fu=177 KSI, Fy=155 KSI)
DIRECTLY INTO BLOCKS
1-3/4" MIN. EMBED INTO GROUT FILLED BLOCKS (JAMBS)

ANCHOR 'D' - 5/16" DIA. TEKS OR SELF DRILLING SCREWS (GRADE 5 CRS)
INTO F.B.C. APPROVED MULLIONS
OR
INTO METAL STRUCTURES (HEAD/SILL/JAMBS)
(3) THREADS MIN. PENETRATION BEYOND SUBSTRATE
ALUMINUM: 1/4" THK. MIN. (6063-T5 MIN.)
STEEL: 1/4" THK. MIN. (Fy = 36 KSI MIN.)
(STEEL IN CONTACT WITH ALUMINUM TO BE PLATED OR PAINTED)

TYPICAL EDGE DISTANCE

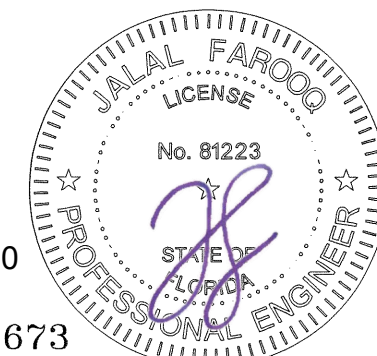
INTO CONC. OR BLOCKS = 2-1/2" MIN.
INTO WOOD STRUCTURE = 1-1/4" MIN.
INTO METAL STRUCTURE = 3/4" MIN.

WOOD AT HEAD, SILL OR JAMBS SG = 0.55 MIN.
CONCRETE AT HEAD, SILL OR JAMBS f'c = 3000 PSI MIN.
C-90 HOLLOW/FILLED BLOCK AT JAMBS f'm = 2000 PSI MIN.



Sealed: 10/26/2020

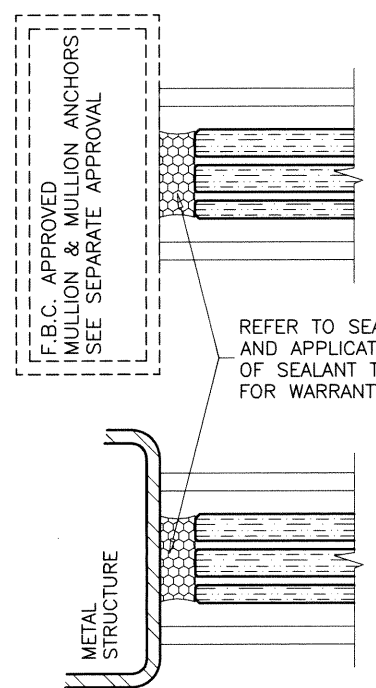
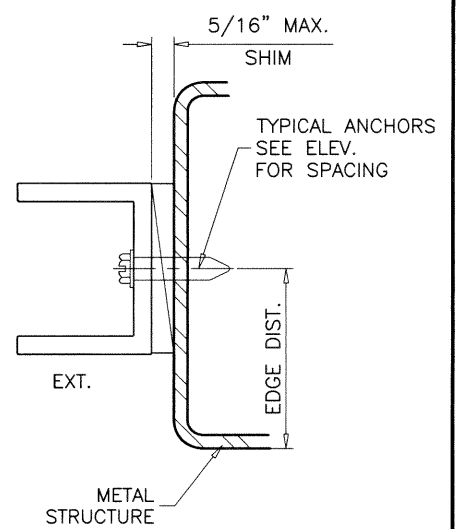
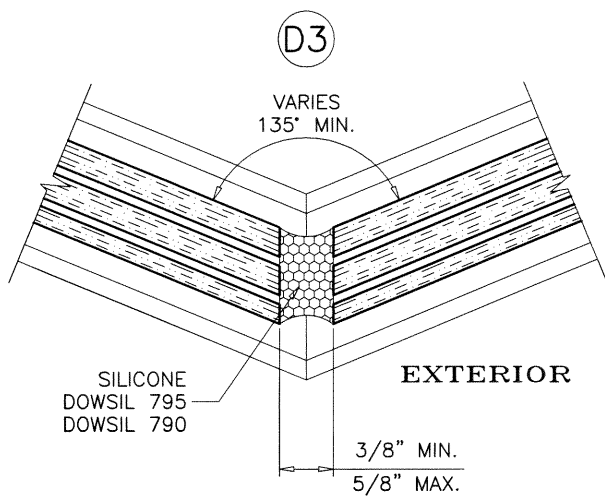
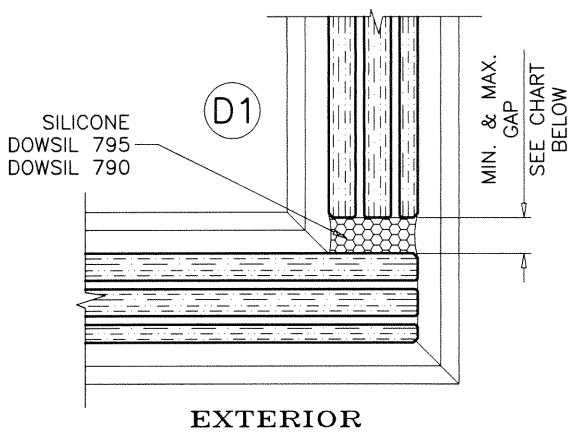
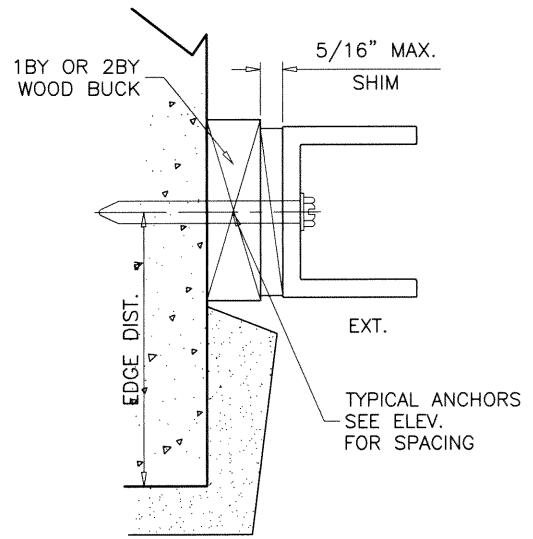
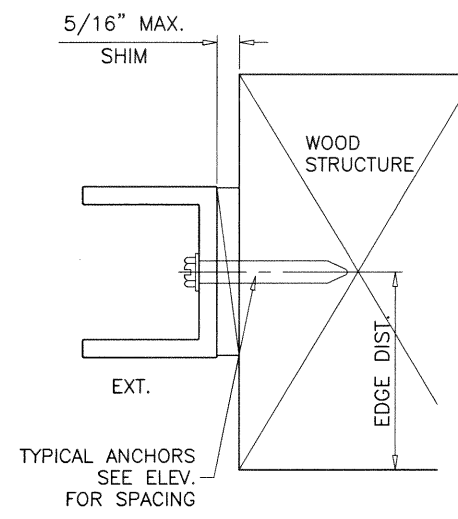
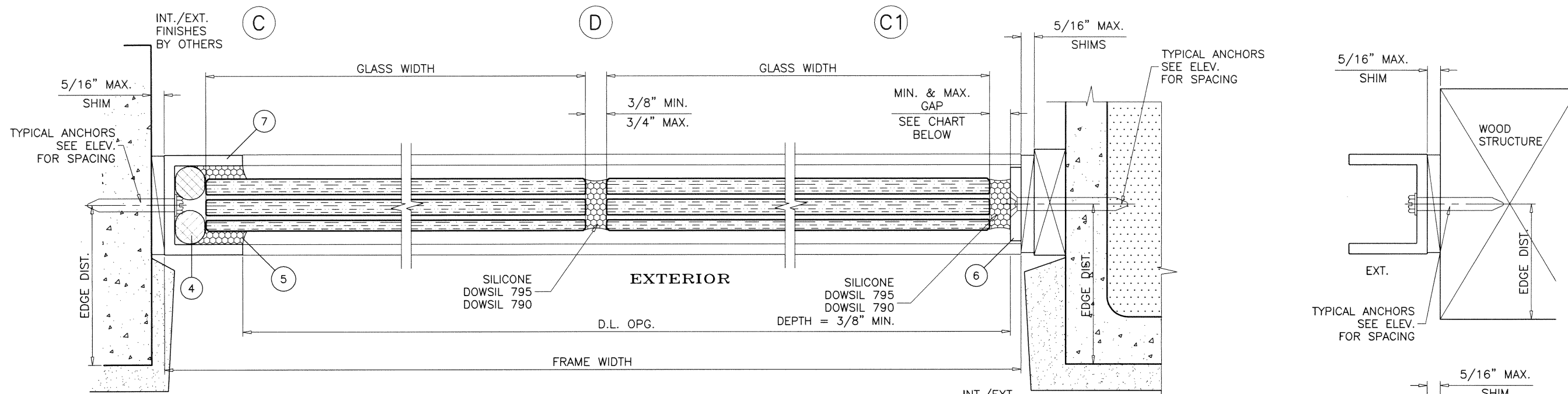
FL #25673



AL-FAROOQ CORPORATION
ENGINEERS & PRODUCT DEVELOPMENT
9360 SUNSET DRIVE, SUITE 220
MIAMI, FLORIDA 33173
TEL. (305) 264-8100 FAX. (305) 262-6978
COMP-ANL \ W17-104FGT

SERIES 'SLIMPACT X' SSG GLASS WALL SYSTEM (L.M.I.)
Faour Glass Technologies
5119 West Knox Street
Tampa, FL 33634
Tel. (813) 884-3297 Fax. (-)

revisions:	no	date	by	description
date:	11-08-17	scale:	3/8" = 1"	
dr. by:	TARIQ	chk. by:		
drawing no.	W17-104			
sheet	3 of 5			



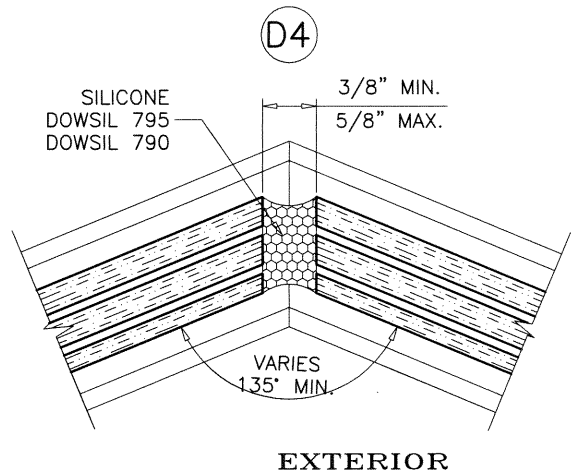
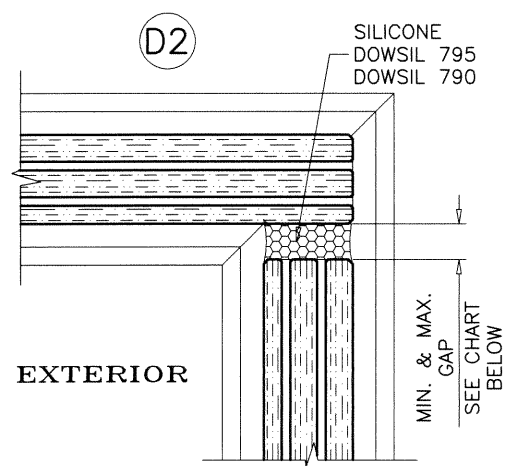
REFER TO SEALANT MANUFACTURER'S DATA AND APPLICATION MANUAL FOR COMPATABILITY OF SEALANT TO SUBSTRATE AND COMPLIANCE FOR WARRANTY.

IF B.C. APPROVED MULLION & MULLION ANCHORS SEE SEPARATE APPROVAL

MAX. FRAME HEIGHT	GAP			
	DOWSIL 795		DOWSIL 790	
	MIN.	MAX.	MIN.	MAX.
60"	5/16"	3/4"	3/16"	3/4"
76"	3/8"	3/4"	1/4"	3/4"
100"	1/2"	3/4"	3/8"	3/4"
124"	5/8"	3/4"	7/16"	3/4"

NOTE:
 MAX. MOVEMENT CONSIDERED=50% STRETCH FOR DOWSIL 795.
 MAX. MOVEMENT CONSIDERED=100% STRETCH FOR DOWSIL 790.
 PLEASE REFER TO SEALANT MANUFACTURER'S DATA AND APPLICATION MANUAL FOR COMPATABILITY OF SEALANT TO SUBSTRATE & WINDOWALL MATERIAL/FINISH AND COMPLIANCE FOR WARRANTY.
 REFER TO ACI-117-10 FOR CONSTRUCTION TOLERANCES.

ALTERNATE SEALANTS AT JAMB GAPS CAN BE DESIGNED BY ENGINEER OF RECORD BASED ON MANUFACTURER GUIDE LINES.



af c
AL-FAROOQ CORPORATION
 ENGINEERS & PRODUCT DEVELOPMENT
 9360 SUNSET DRIVE, SUITE 220
 MIAMI, FLORIDA 33173 (C.A.N. 3538)
 TEL. (305) 264-8100 FAX. (305) 262-6978
 COMP-ANL W17-104FGT

SERIES 'SLIMPACT X' SSG GLASS WALL SYSTEM (L.M.I.)
Faour Glass Technologies
 5119 West Knox Street
 Tampa, FL. 33634
 Tel. (813) 884-3297 Fax. (-)

revisions:	no	date	description

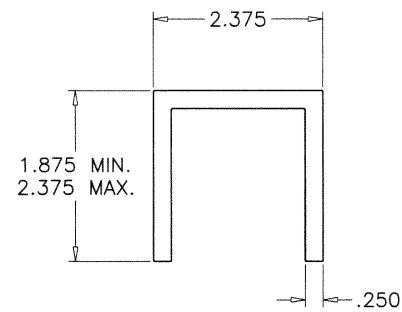
date: 11-08-17
 scale: 3/8" = 1"
 dr. by: TARIQ
 chk. by:

drawing no.
W17-104
 sheet 4 of 5

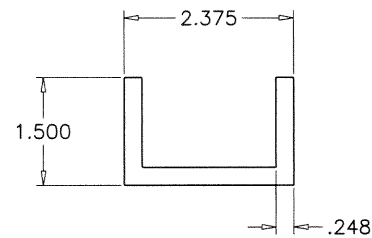
Sealed: 10/26/2020

FL #25673

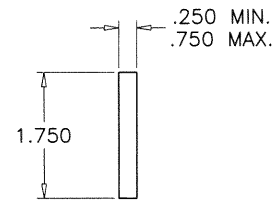




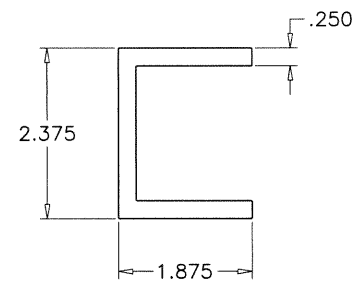
1 TOP CHANNEL



2 BOTTOM CHANNEL



6 JAMB BAR (OPTIONAL)

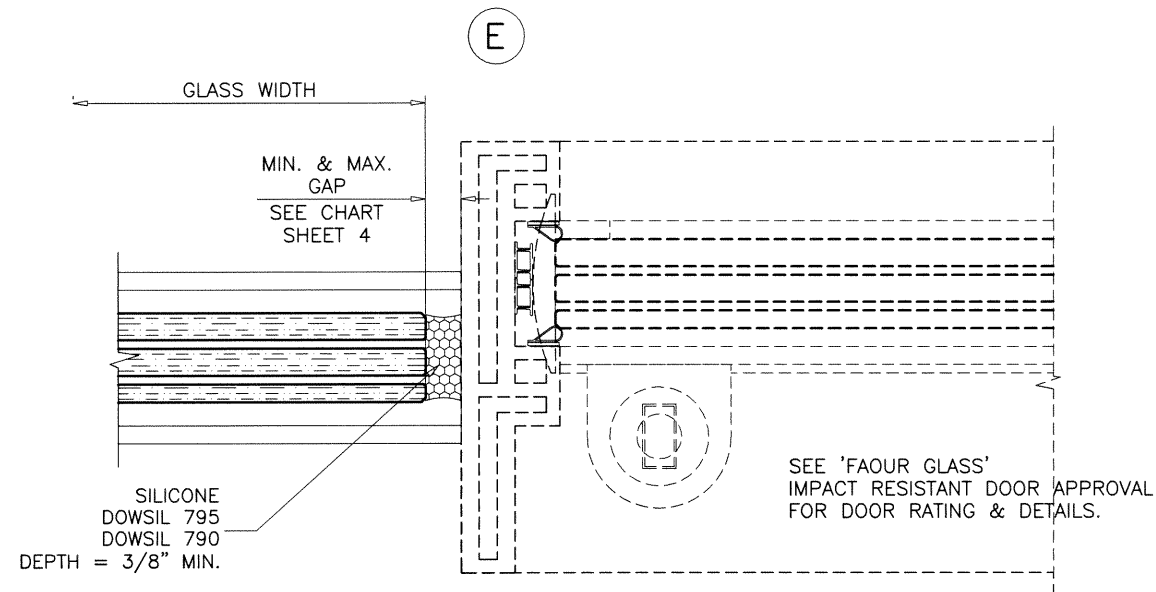


7 SIDE CHANNEL

ITEM #	PART #	REQD.	DESCRIPTION	MATERIAL	MANF./SUPPLIER/REMARKS
1	-	AS REQD.	TOP CHANNEL	6063-T4	-
2	-	AS REQD.	BOTTOM CHANNEL	6063-T4	-
3	-	2/ LITE	SETTING BLOCKS AT 1/4 POINTS	EPDM	DUROMETER 80±5 SHORE A
4	-	AS REQD.	3/8" DIA. BACKER ROD	FOAM	-
5	DOWSIL 995	AS REQD.	GLAZING COMPOUND	SILICONE	-
6	-	AS REQD.	JAMB BAR (OPTIONAL)	6063-T4	-
7	-	AS REQD.	SIDE CHANNEL	6063-T4	-

SEALANT:

ALL FRAME JOINTS SQUARE-CUT AND BUTTED, SEALED WITH DOWSIL 123 SILICONE SEAL TAPE.



SEE SEPARATE APPROVAL FOR DESIGN LOAD CAPACITY OF DOOR AND DOOR ANCHORS.

LOWER VALUES FROM DOOR APPROVAL OR GLASS WALL SYSTEM CAPACITY WILL APPLY TO ENTIRE SYSTEM.

Sealed: 10/26/2020

FL #25673



af c
AL-FAROOQ CORPORATION
 ENGINEERS & PRODUCT DEVELOPMENT
 9360 SUNSET DRIVE, SUITE 220 (C.A.N. 3538)
 MIAMI, FLORIDA 33173 FAX: (305) 262-6978
 TEL: (305) 264-8100

SERIES 'SLIMPACT X' SSG GLASS WALL SYSTEM (L.M.I.)
Faour Glass Technologies
 5119 West Knox Street
 Tampa, FL 33634
 Tel: (813) 884-3297 Fax: (-)

revisions:	no	date	by	description
date:	11-08-17	scale:	3/8" = 1"	
dr. by:	TARIQ	chk. by:		
drawing no.	W17-104			
sheet	5 of 5			

COMP-ANL \ W17-104FGT